

# PRODUCT INFORMATION PACKET

Model No: 048A11O1799

Catalog No: X001

0.25 HP 3 speed Fan and Blower HVAC/R Motor, 1 phase, 1200 RPM, 208-230 V, 48Z Frame, OPAO  
Direct Drive Motors



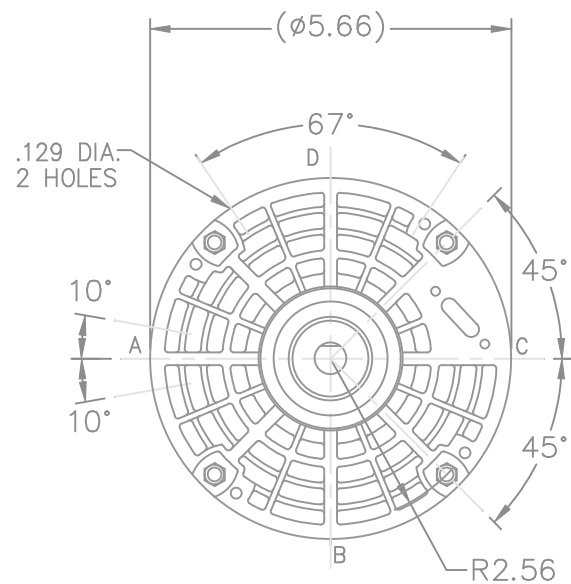
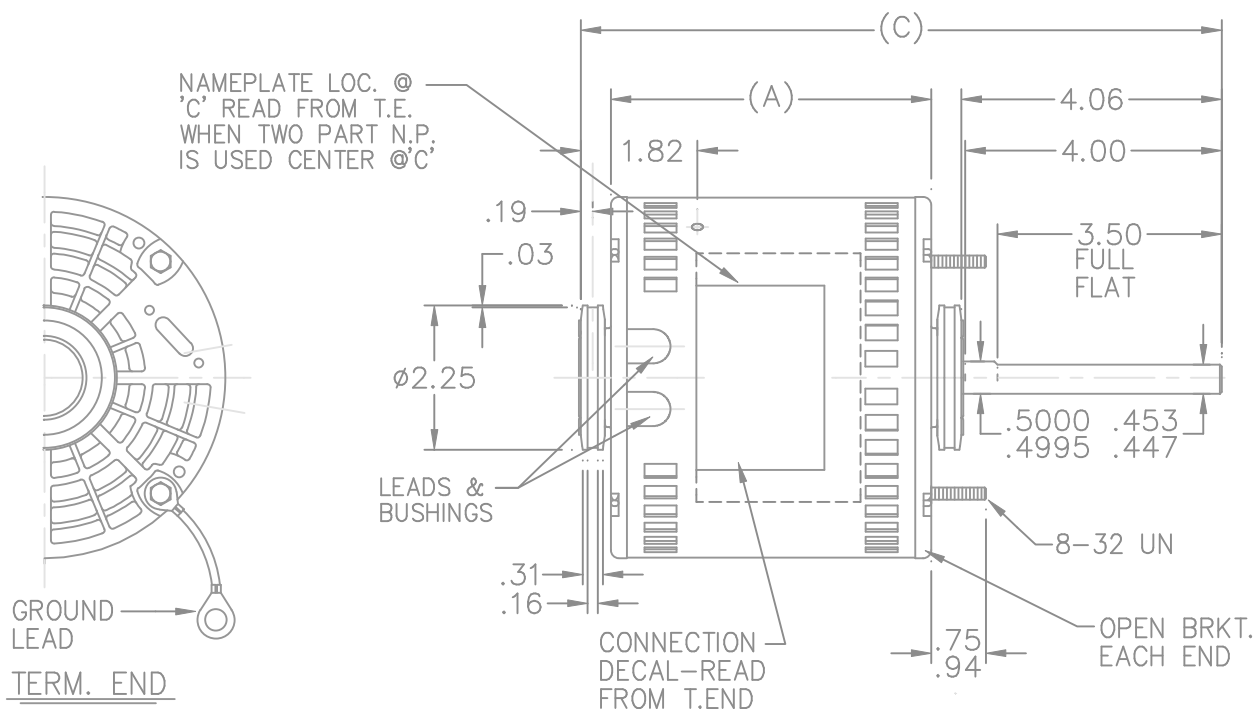
### Nameplate Specifications

Output HP	0.25 Hp	Output KW	0.19 kW
Frequency	60 Hz	Voltage	208-230 V
Current	1.5-1.5 A	Speed	1075 rpm
Service Factor	1	Phase	1
Efficiency	64 %	Power Factor	94
Duty	Continuous	Insulation Class	B
Design Code	NO DESIGN CODE	KVA Code	B
Frame	48Z	Enclosure	Open Air Over
Thermal Protection	Automatic Lock Rotor Only	Ambient Temperature	40 °C
Drive End Bearing Size	6203	Opp Drive End Bearing Size	6203
UL	Recognized	CSA	Y
CE	N	IP Code	10

### Technical Specifications

Electrical Type	Permanent Split Capacitor	Starting Method	Across The Line
Poles	6	Rotation	Selective Counterclockwise
Resistance Main	0 Ohms	Mounting	Resilient Ring - Extended Studs
Motor Orientation	Horizontal	Drive End Bearing	Ball
Opp Drive End Bearing	Ball	Frame Material	Rolled Steel
Shaft Type	Single Special Extension	Overall Length	9.50 in
Frame Length	4.00 in	Shaft Diameter	0.500 in
Shaft Extension	4.06 in	Assembly/Box Mounting	F1 ONLY
Outline Drawing	A-SS403409-400	Connection Drawing	6906493

This is an uncontrolled document once printed or downloaded and is subject to change without notice. Date Created:04/01/2021



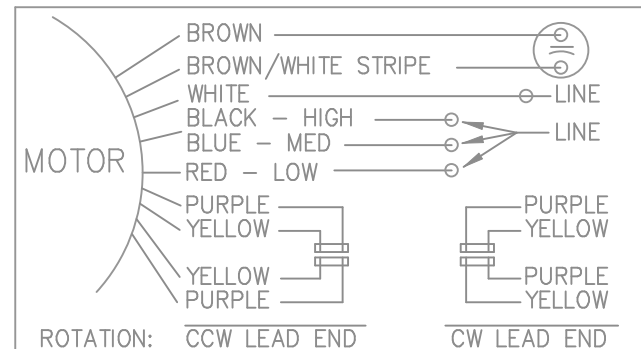
LEAD DESCRIPTION:

1 WHITE, 1 BLACK, 1 BLUE, & 1 RED, LEAD WITH .50 BARE WIRE STRIP. 30.00" LONG

2 BROWN LEADS WITH .25 FLAG-TYPE QUICK CONNECTS 30.00" LONG. BROWN/ WHITE MARKED LEAD IS COMMON TO WHITE.

REVERSING LEADS ARE MOLDED INTO MATING PULL-APART PLUGS. 1 YELLOW & 1 PURPLE LEAD PER PLUG. 5.00" LONG.

GREEN GROUND LEAD WITH TERM. FOR #10 SCREW 12.00" LONG.



DASH	C	A
375	9.25	4.25
400	9.50	4.50
425	9.75	4.75
475	10.25	5.25
488	10.38	5.38
500	10.50	5.50

9/20/08  
9/20/08  
9/20/08  
9/20/08

TOLERANCES UNLESS SPECIFIED

DEC.	INCHES
.X	$\pm .1$
.XX	$\pm .02$
.XXX	$\pm .005$
.XXXX	$\pm .0005$
ANG	$\pm 7'30"$



TITLE OUTLINE

MAT'L.

FINISH

DRAWN HLB 05-13-2004

CHK ML 05-13-2004

APPD MJS 05-14-2004

SCALE 3=9

REF

FMF MU50817/MU50818

PREV

NO.	REVISION	BY & DATE	CHK

THIS DRAWING IN DESIGN AND DETAIL IS OUR PROPERTY AND MUST NOT BE USED EXCEPT IN CONNECTION WITH OUR WORK ALL RIGHTS OF DESIGN AND INVENTION ARE RESERVED THIS IS AN ELECTRONICALLY GENERATED DOCUMENT - DO NOT SCALE THIS PRINT

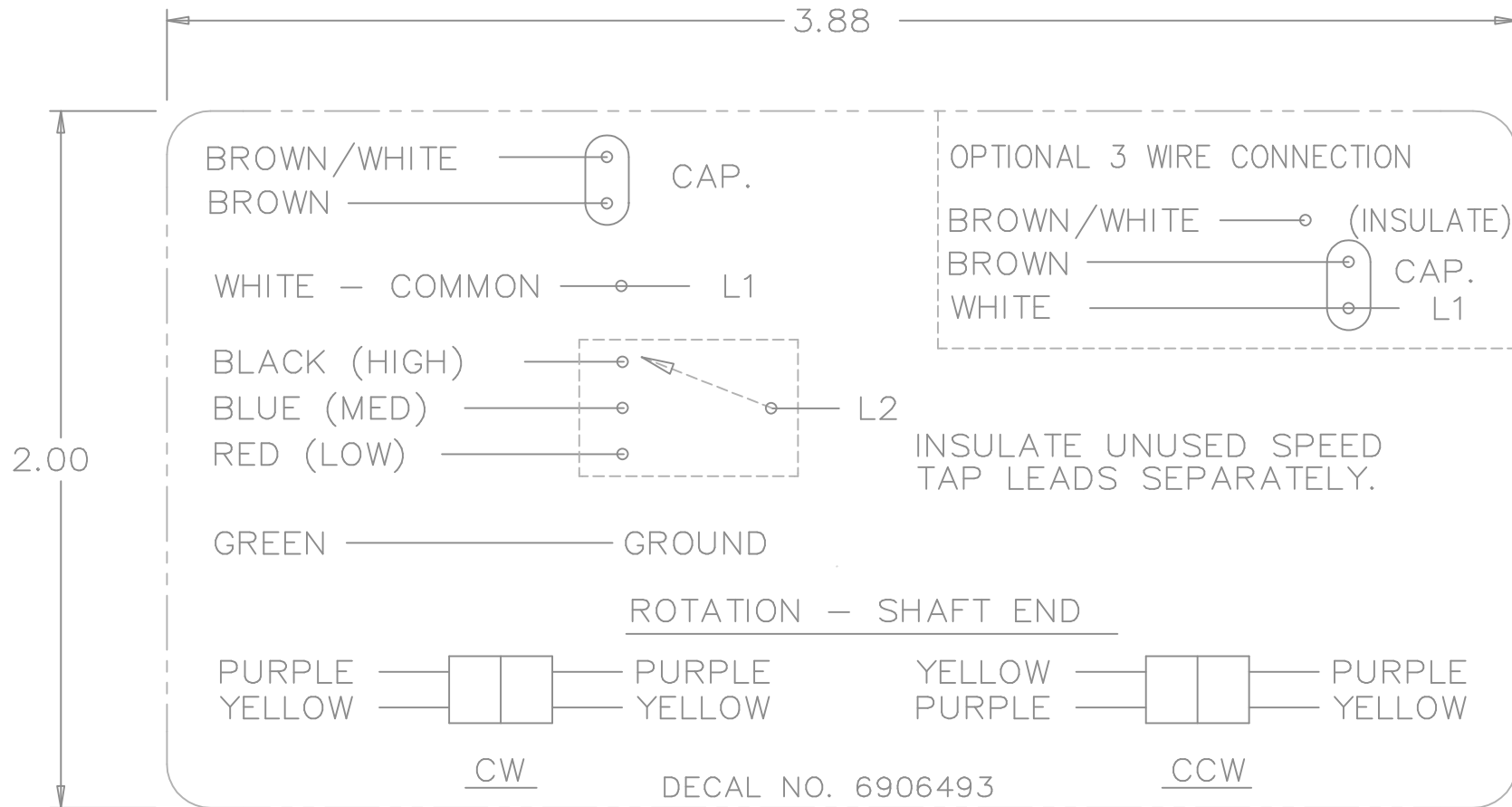
RFP 05-14-2004

DIST WP

CAD FILE ss403409

SIZE A DRAWING NO. PAGE 1 OF 1 REV.

SS403409



				TOLERANCES UNLESS SPECIFIED		REGAL-BELOIT <i>Motor Technologies</i>	DRAWN MRB 04-16-1998				
				DEC.	INCHES		CHK	ML	04-22-1998		
				.X	±.1		APPD	GK	04-22-1998		
3	REMOVED 'MARATHON ELECTRIC' CN 35106	DRS 05-01-2002	TOM	.XX	±	TITLE CONNECTION DECAL	SCALE	1=1			
2	PART NAME WAS CONNECTION DIAGRAM CN 25669	MRB 04-25-1998		.XXX	±.005		REF				
1	NEW DRAWING CN 25669	MRB 04-22-1998		.XXXX	±.0005	MAT'L.	FMF				
NO.	REVISION	BY & DATE	CHK	ANG	±	FINISH	PREV				
THIS DRAWING IN DESIGN AND DETAIL IS OUR PROPERTY AND MUST NOT BE USED EXCEPT IN CONNECTION WITH OUR WORK ALL RIGHTS OF DESIGN AND INVENTION ARE RESERVED THIS IS AN ELECTRONICALLY GENERATED DOCUMENT - DO NOT SCALE THIS PRINT				RFP	CAD FILE 6906493		SIZE	DRAWING NO.	PAGE	OF	REV.
				DIST	WP		A	6906493			3



\*\* Subject to change without notice.



**MARATHON ELECTRIC CORPORATION**  
TYPICAL PERFORMANCE CURVE for AC MOTOR

Customer

Curve at

230 Volts  
60 HZ  
0.25 HP

HP 0.25

PHASE 1

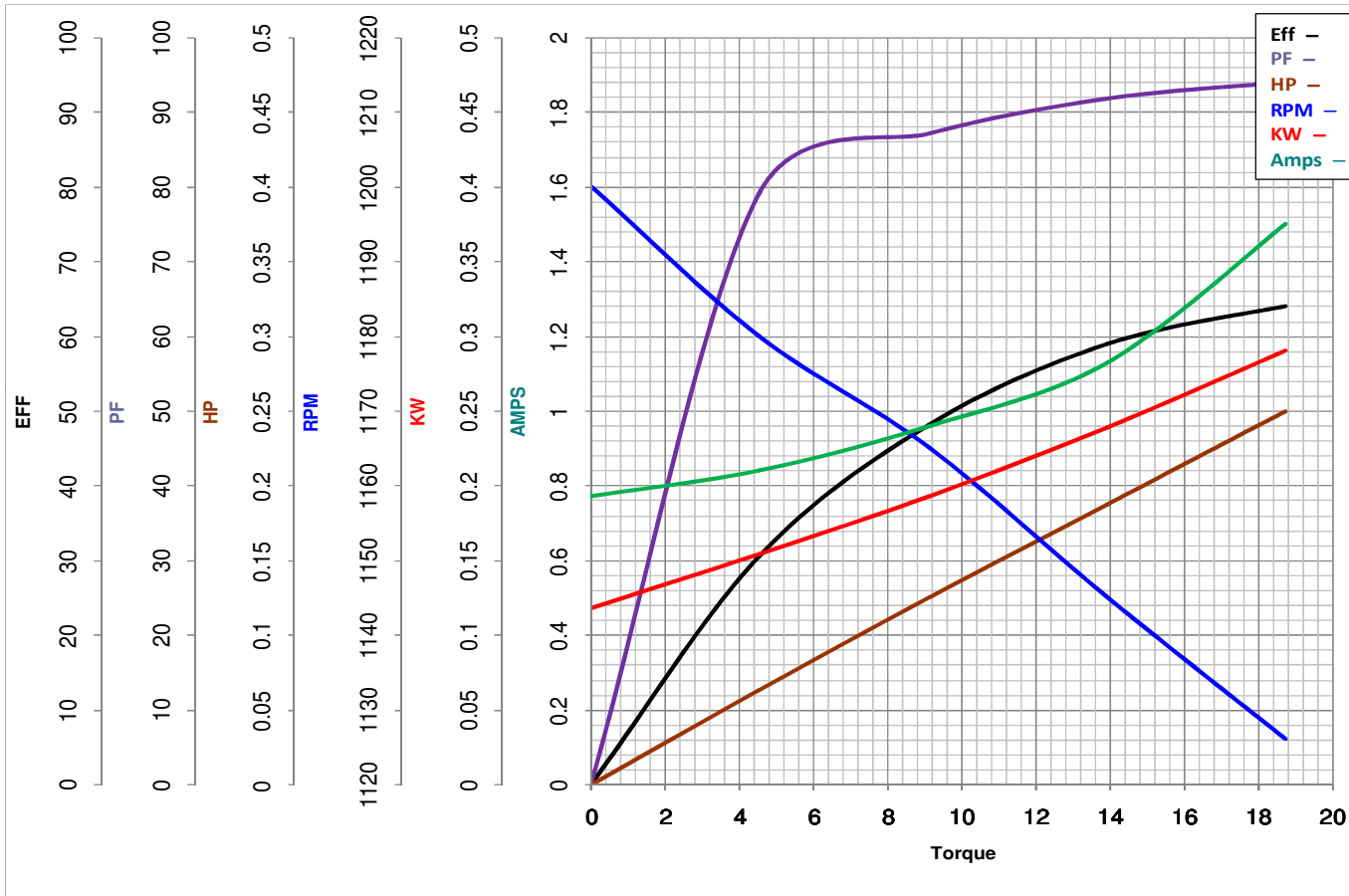
Model No 48A11O1799

VOLTS 208-230

Catalog No X001

HZ 60

RPM 1075



		Torque in Oz.Ft			
FL TORQUE	<u>18.7</u>	Oz.Ft	FL AMPS	<u>1.5-1.5</u>	
BD TORQUE	<u>30.4</u>	Oz.Ft	PU TORQUE	<u>7.1</u>	Oz.Ft
LR TORQUE	<u>7.7</u>	Oz.Ft	LR AMPS	<u>3.56</u>	
WINDING	PE4861875-2		Date	1/9/2019	